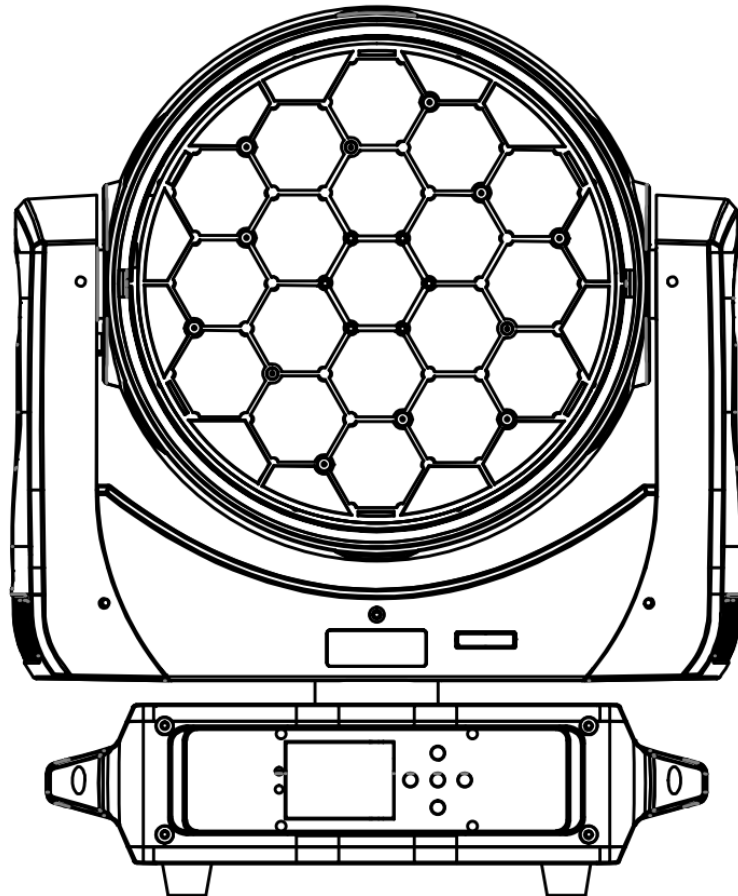

Acue[®] *PRO*

HALO

Wash 1940



User Manual

1. INTRODUCTION

Thank you for choosing the Acue Pro Halo Wash 1940. To use this product correctly and safely, please read the instructions carefully before installing and using this product. This manual contains important installation and operation information. Make sure to strictly follow the instructions when installing and operating this product. Retain this manual in a safe place for future reference.

The Halo Wash 1940 uses a high-temperature resistant aluminum/metal body with hard plastic covers and is IP20 rated. IP20 is a classification given to devices that are designed mostly for indoor use in cool dry areas. This product is designed and produced in strict accordance with CE standards and conforms to the international standard of DMX512 signal protocol. It can be controlled manually from the display or by DMX using the built in 3-pin XLR in/out connectors. This fixture is suitable for various types of indoor concerts, indoor events, indoor installations, and other like environments.

2. SAFETY INSTRUCTIONS

- Please keep this User Manual for future reference. All users of this fixture must read the user manual thoroughly.
- Unpack and check contents carefully to make sure there is no damage caused by shipping before using the unit.
- Before operating, ensure that the voltage and frequency of power supply match the power requirements of the unit.
- It's important to properly ground the fixture to avoid electric shock.
- The unit is for indoor use only. Use only in a dry location.
- The unit must be installed in a location with adequate ventilation, at least 50cm from adjacent surfaces. Be sure that no ventilation slots are blocked.
- Disconnect main power input before moving fixture.
- Make sure there are no flammable materials close to the unit while operating as it is fire hazard.
- Use safety cable when mounting this unit.
- Maximum ambient operating temperature is: 40°C. Do not operate if the temperature is higher than this.
- Unit surface temperature may reach up to 85°C. Do not touch the housing bare-handed during its

operation. Turn off the power and allow about 15 minutes for the unit to cool down before replacing or serving.

- In the event of serious operating problem, stop using the unit immediately. Never try to repair the unit by yourself. Repairs carried out by unskilled individuals can lead to further damage or malfunction. Please contact the nearest authorized technical assistance center. Always use the same type Spare parts.

3. Maintenance and Installation

3.1 Maintenance

- To reduce the risk of electrical shock or fire, do not expose the power cable connector of this unit to rain or moisture.
- Intermittent usage will extend this fixtures service life.
- Please clear the fan, fan net, and optical lens of any dust or obstructions in order to keep the fixture in a proper working state.
- Do not use alcohol or any other organic solvent to wipe the shell.

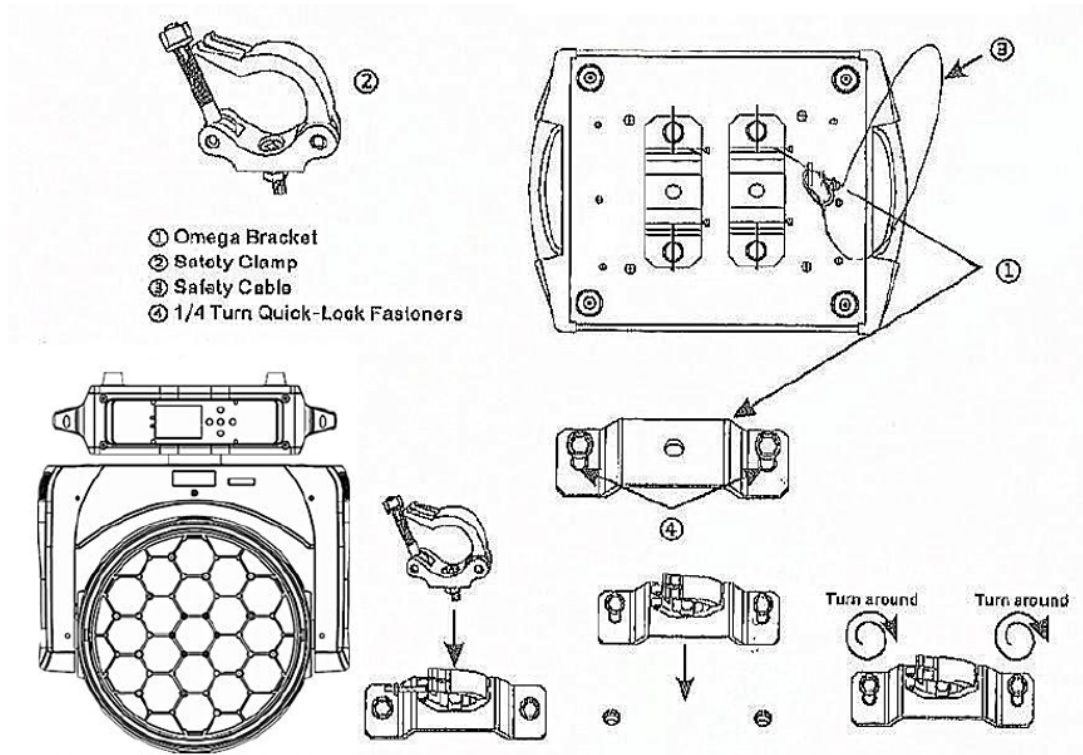
3.2 Statement

All fixtures have been tested thoroughly before leaving the factory. In order to keep the product in good condition and ensure safe operation, users should follow the safety precautions and warnings in this manual.

Important: Damages caused by not following the guidelines in this user manual are not covered under warranty. The manufacturer is not responsible for product issues caused by misuse.

3.3 Safety Precaution

- To guarantee the product's life expectancy, do not store/use in environments over 60° C.
- Always mount this unit in a safe and stable manner. Mounting system must be able to withstand 10x that of the fixture's weight. A safety cable must always be used as a secondary source for securing the fixture.
- Installation of this fixture must be carried out by skilled individuals.



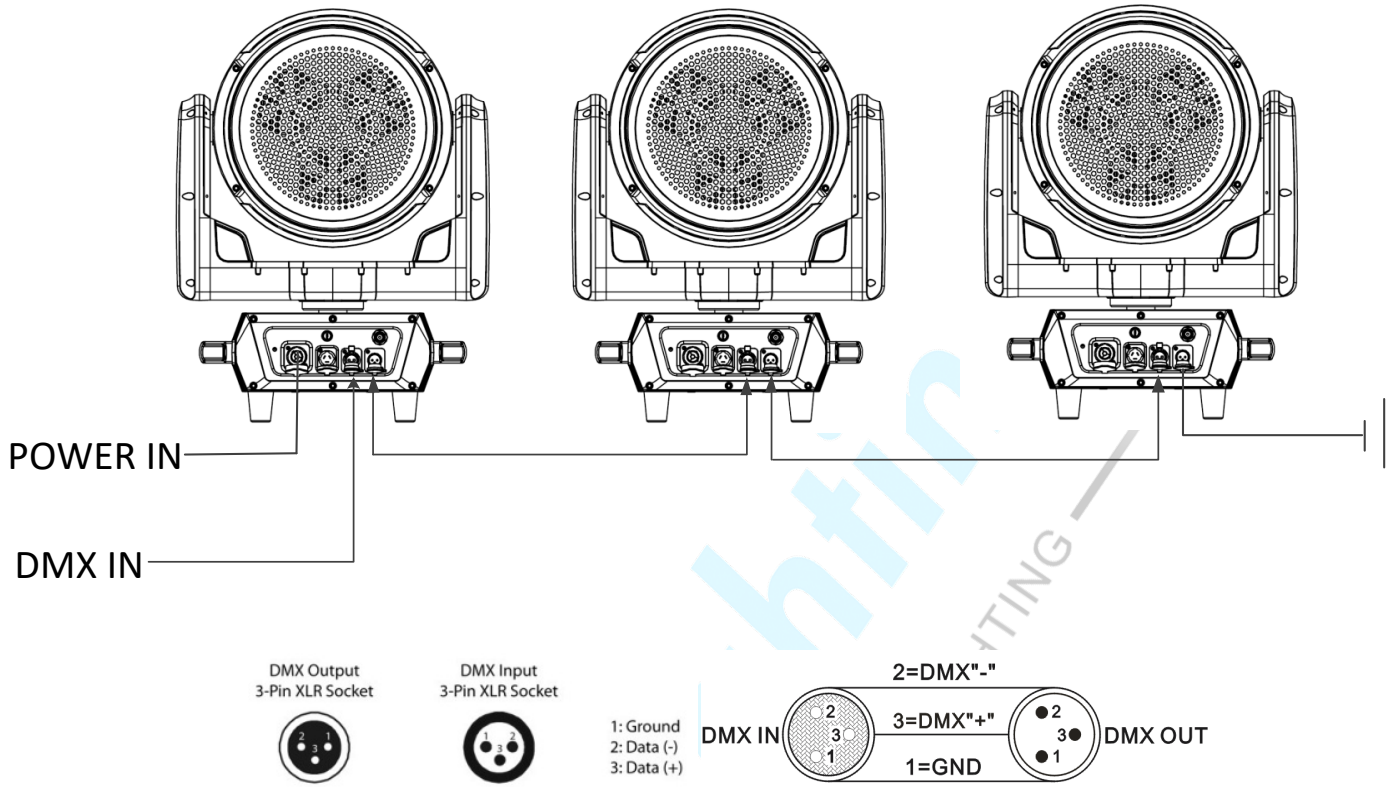
Regardless of the rigging option you choose for our fixture, always be sure to secure your fixture with a safety cable. The fixture provides a built-in rigging point for a safety cable on the hanging bracket as illustrated above. Be sure to only use the designated rigging point for the safety cable and never secure a safety cable to a carrying handle.

- This product can be used in the voltage range of 90-240V and is an indoor rated product. Please make sure that the power mains voltage used is not higher/or lower than what the product can withstand! The power plug must be inserted into a protected Class I socket and must be grounded properly.
- In order to make sure the product is used properly, please read this manual carefully.

3.4 Cable connection (DMX)

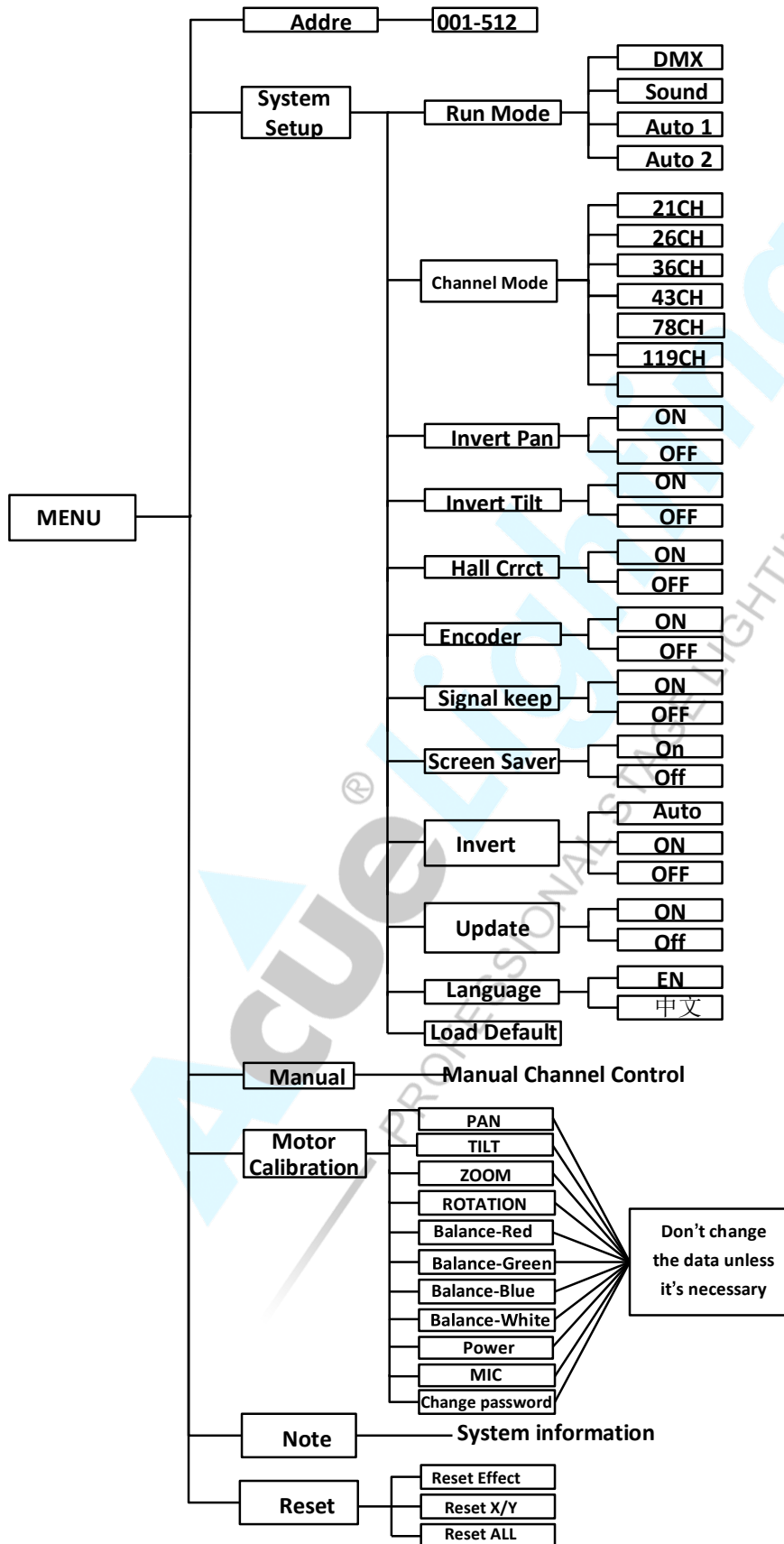
Make sure to use a DMX cable conforming to specifications EIA RS-485: 2-pole twisted, shielded, 120 Ohm characteristic impedance, 22-24 AWG, Low capacity. Do not use microphone cable or other cable with characteristics differing from those specified. The end connections must be made using IP65-rated XLR type 3 pin male/female connectors. A terminating plug must be inserted into the last fixture with a resistance of 120 Ohm (minimum 1/4 W) between terminals 2 and 3.

IMPORTANT: The wires must not make contact with each other or with the metal casing of the connectors. The casing itself must be connected to the ground of the connector plugs.



4. Display Operation

Please refer to the chart below for menu navigation.



5. DMX Channel Charts

21Ch Mode

CH	Function	DMX Value	Details
1	Red	0-255	Red dimmer
2	Red Fine	0-255	Red fine control
3	Green	0-255	Green dimmer
4	Green Fine	0-255	Green fine control
5	Blue	0-255	Blue dimmer
6	Blue Fine	0-255	Blue fine control
7	White	0-255	White dimmer
8	White Fine	0-255	White fine control
9	CTO	0-255	Color temperature linear control
10	Macro color	0-255	Marco color control
11	Strobe	0-3	Shutter Open
		4-203	Synchronous Strobe from slow to fast
		204-255	Random strobe
12	Dimmer	0-255	0-100 linear dimmer from dark to bright
13	Dimmer Fine	0-255	Dimmer fine control
14	Pan	0-255	Pan movement control (X)
15	Pan Fine	0-255	Pan fine control (X 16-bit)
16	Tilt	0-255	Tilt movement control (Y)
17	Tilt Fine	0-255	Tilt fine control (Y 16-bit)
18	No Function	0-255	No Function
19	Reset	0-250	No function
		251-255	Reset (Hold 5 seconds)
20	Zoom	0-255	Zoom Control from near to far 7°-45°
21	Lens Rotation	0-127	0° to 60° Indexing
		128-189	Counterclockwise rotation from fast to slow
		190-191	Stop
		192-255	Clockwise rotation from slow to fast

26 Channel Mode

CH	Function	Value	Details
1	Pan	0-255	Pan movement control (X)
2	Pan fine	0-255	Pan fine control (X 16-bit)
3	Tilt	0-255	Tilt movement control (Y)
4	Tilt fine	0-255	Tilt fine control (Y 16-bit)
5	Pan/Tilt speed	0-255	Speed from fast to slow
6	Zoom	0-255	Zoom Control from near to far 7°-45°

7	Lens Rotation	0-127	0° to 60° Indexing
		128-189	Counterclockwise rotation from fast to slow
		190-191	Stop
		192-255	Clockwise rotation from slow to fast
8	Dimmer	0-255	0-100 linear dimmer from dark to bright
9	Strobe	0-3	Shutter Open
		4-200	Synchronous Strobe slow to fast
		201-255	Random strobe from slow to fast
10	Red	0-255	1-100% Red linear dimmer from dark to bright
11	Green	0-255	1-100% Green linear dimmer from dark to bright
12	Blue	0-255	1-100% Blue linear dimmer from dark to bright
13	White	0-255	1-100% White linear dimmer from dark to bright
14	CTO	0-255	Linear color temperature control
15	Marco	0-255	Marco color change
16	Static Effect	0-9	No function
		10-184	Each 5 DMX value is a kind of static effect (35 kinds)
		185-194	Static effect 36
		195-255	Static effect 37
17	Dynamic Effect	0-4	No function
		5-16	Dynamic Effect 1
		17-255	Each 3 DMX value is a kind of dynamic effect (80 kinds)
18	Dynamic Effect Speed	0-127	Clockwise rotate from fast to slow, operate against 17 CH
		128-255	Counterclockwise rotate from slow to fast, operate against 17 CH
19	Background R	0-255	Background in Red color
20	Background	0-255	Background in Green color
21	Background B	0-255	Background in Blue color
22	Background	0-255	Background in White color
23	LED Halo Strobe	0-3	No function, Light on
		4-250	LED Halo strobe from slow to fast
		251-255	No function, Light on
24	LED Halo Macro	0-1	No function
		2-51	Every 2 DMX value is one kind of static color
		52-54	1st Dynamic effect
		55-250	Every 4 DMX value is a dynamic effect (2-50 kinds)
		251-255	51 kinds of dynamic effects
25	LED Halo Effect Speed	0-255	LED Halo macro effect from slow to fast
26	Reset	0-239	No function
		240-255	Reset (hold 5 seconds)

36 Channel Mode

CH	Function	Value	Details
1	Red	0-255	Red dimmer
2	Red Fine	0-255	Red fine control
3	Green	0-255	Green dimmer
4	Green Fine	0-255	Green fine control

5	Blue	0-255	Blue dimmer
6	Blue Fine	0-255	Blue fine control
7	White	0-255	White dimmer
8	White Fine	0-255	White fine control
9	CTO	0-255	Color temperature linear control
10	Macro color	0-255	Marco color effect
11	Strobe	0-3	Shutter Open
		4-103	Synchronous Strobe slow to fast
		104-107	Shutter Open
		108-207	Pulse strobe from fast to slow
		208-212	Shutter Open
		213-251	Random strobe from slow to fast
		252-255	Shutter Open
12	Dimmer	0-255	0-100 linear dimmer from dark to bright
13	Dimmer Fine	0-255	Dimmer fine control
14	Pan	0-255	Pan movement control (X)
15	Pan Fine	0-255	Pan fine control (X 16-bit)
16	Tilt	0-255	Tilt movement control (Y)
17	Tilt Fine	0-255	Tilt fine control (Y 16-bit)
18	No Function	0-255	No Function
19	Reset	0-239	No function
		240-255	Reset (hold 5 seconds)
20	Zoom	0-255	Zoom Control from near to far 7°-45°
21	Lens Rotation	0-127	0° to 60° Indexing
		128-189	Counterclockwise rotation from fast to slow
		190-191	Stop
		192-255	Clockwise rotation from slow to fast
22	Shape Macro	0-7	No function
		8-14	Static effects
		15-87	Dynamic effects
		88-255	No function
23	Shape Speed (CH22 must be set to dynamic effect)	0-127	Dynamic shape counterclockwise rotation from fast to slow
		128-255	Dynamic shape clockwise rotation from slow to fast
24	No Function	0-255	No Function
25	Shape R	0-255	Shape in Red color
26	Shape G	0-255	Shape in Green color
27	Shape B	0-255	Shape in Blue color
28	Shape W	0-255	Shape in White color
29	Shape Dimmer	0-255	Shape Dimmer 0-100%
30	Background	0-255	Background Dimmer 0-100%
31	No Function	0-255	No Function
32	Shape transition	0-255	Shape change position
33	Shape strobe	0-255	Foreground strobe control
34	Background	0-255	Background strobe control
35	Background Shape (controlled by channels 1-12)	0-8	No function
		9-15	Every 1 DMX value is one kind of background shape
		16-255	No function
36	No Function	0-255	No Function

43 Channel Mode

CH	Function	Value	Details
1	Red	0-255	Red dimmer
2	Red Fine	0-255	Red fine control
3	Green	0-255	Green dimmer
4	Green Fine	0-255	Green fine control
5	Blue	0-255	Blue dimmer
6	Blue Fine	0-255	Blue fine control
7	White	0-255	White dimmer
8	White Fine	0-255	White fine control
9	CTO	0-255	Color temperature linear control
10	Macro color	0-255	Marco color effect
11	Strobe	0-3	Shutter Open
		4-103	Synchronous Strobe slow to fast
		104-107	Shutter Open
		108-207	Pulse strobe from fast to slow
		208-212	Shutter Open
		213-251	Random strobe from slow to fast
		252-255	Shutter Open
12	Dimmer	0-255	0-100 linear dimmer from dark to bright
13	Dimmer Fine	0-255	Dimmer fine control
14	Pan	0-255	Pan movement control (X)
15	Pan Fine	0-255	Pan fine control (X 16-bit)
16	Tilt	0-255	Tilt movement control (Y)
17	Tilt Fine	0-255	Tilt fine control (Y 16-bit)
18	No Function	0-255	No Function
19	Reset	0-239	No function
		240-255	Reset (hold 5 seconds)
20	Zoom	0-255	Zoom Control from near to far 7°-45°
21	Lens Rotation	0-127	0° to 60° Indexing
		128-189	Counterclockwise rotation from fast to slow
		190-191	Stop
		192-255	Clockwise rotation from slow to fast
22	Shape macro	0-7	No function
		8-14	Static effects
		15-87	Dynamic effects
		88-255	No function
23	Shape Speed (22nd channel must be set to dynamic effect)	0-127	Dynamic shape counterclockwise rotation from fast to slow
		128-255	Dynamic shape clockwise rotation from slow to fast
24	No Function	0-255	No Function
25	Shape R	0-255	Shape in Red color
26	Shape G	0-255	Shape in Green color
27	Shape B	0-255	Shape in Blue color
28	Shape W	0-255	Shape in White color
29	Shape Dimmer	0-255	Shape dimmer 0-100%
30	Background	0-255	Background dimmer 0-100%
31	No function	0-255	No function

32	Shape Transition	0-255	Shape change position
33	Shape Strobe	0-255	Foreground strobe control
34	Background Strobe	0-255	Background strobe control
35	Background Shape (controlled by channels 1-12)	0-8	No function
		9-15	Every 1 DMX value is one kind of background shape
		16-255	No function
36	No Function	0-255	No Function
37	LED Halo Dimmer	0-255	LED Halo 0-100% linear dimmer
38	LED Halo strobe	0-3	Shutter Open
		4-250	LED Halo strobe from slow to fast
		251-255	Shutter Open
39	LED Halo Red	0-255	LED Halo Red 0-100% linear dimmer
40	LED Halo Green	0-255	LED Halo Green 0-100% linear dimmer
41	LED Halo Blue	0-255	LED Halo Blue 0-100% linear dimmer
42	LED Halo Macro	0-1	No function
		2-51	Every 2 DMX value is one kind of static color
		52-54	Dynamic effect 1
		55-250	Every 4 DMX value is a dynamic effect (2-50 kinds)
		251-255	51 kinds of dynamic effect
43	LED Halo Speed	0-255	LED Halo macro speed from slow to fast

78 Channel Mode

CH	Function	Value	Details
1	Red	0-255	Red dimmer
2	Red Fine	0-255	Red fine control
3	Green	0-255	Green dimmer
4	Green Fine	0-255	Green fine control
5	Blue	0-255	Blue dimmer
6	Blue Fine	0-255	Blue fine control
7	White	0-255	White dimmer
8	White Fine	0-255	White fine control
9	CTO	0-255	Color temperature linear control
10	Macro Color	0-255	Marco color
11	Strobe	0-3	Shutter Open
		4-103	Synchronous Strobe slow to fast
		104-107	Shutter Open
		108-207	Pulse strobe from slow to fast
		208-212	Shutter Open
		213-251	Random strobe from slow to fast
		252-255	Shutter Open
12	Dimmer	0-255	0-100 linear dimmer from dark to bright

13	Dimmer Fine	0-255	Dimmer fine control
14	Pan	0-255	Pan movement control (X)
15	Pan Fine	0-255	Pan fine control (X 16-bit)
16	Tilt	0-255	Tilt movement control (Y)
17	Tilt Fine	0-255	Tilt fine control (Y 16-bit)
18	No Function	0-255	No Function
19	Reset	0-239	No function
		240-255	Reset (hold 5 seconds)
20	Zoom	0-255	Zoom Control from near to far 7°-45°
21	LENS Rotation	0-127	0° to 60° Indexing
		128-189	Counterclockwise rotation from fast to slow
		190-191	Stop
		192-255	Clockwise rotation from slow to fast
22	Red dimmer 1	0-255	LED 1 red dimmer
23	Green dimmer 1	0-255	LED 1 green dimmer
24	Blue dimmer 1	0-255	LED 1 blue dimmer
25	Red dimmer 2	0-255	LED 2 red dimmer
26	Green dimmer 2	0-255	LED 2 green dimmer
27	Blue dimmer 2	0-255	LED 2 blue dimmer
.....
...
76	Red dimmer 19	0-255	LED 19 red dimmer
77	Green dimmer 19	0-255	LED 19 green dimmer
78	Blue dimmer 19	0-255	LED 19 blue dimmer

119 Channel Mode

CH	Function	Value	Details
1	Red	0-255	Red dimmer
2	Red Fine	0-255	Red fine control
3	Green	0-255	Green dimmer
4	Green Fine	0-255	Green fine control
5	Blue	0-255	Blue dimmer
6	Blue Fine	0-255	Blue fine control
7	White	0-255	White dimmer
8	White Fine	0-255	White fine control
9	CTO	0-255	Color temperature linear control
10	Macro color	0-255	Marco color effect
11	Strobe	0-3	Shutter Open
		4-103	Synchronous Strobe slow to fast
		104-107	Shutter Open
		108-207	Pulse strobe from fast to slow
		208-212	Shutter Open

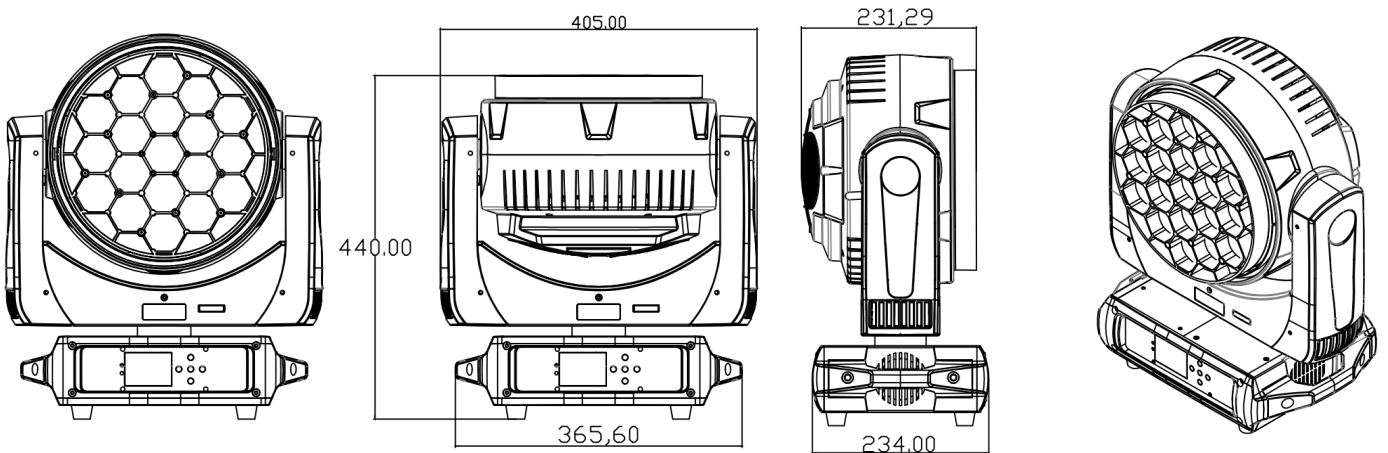
		213-251	Random strobe from slow to fast
		252-255	Shutter Open
12	Dimmer	0-255	0-100 linear dimmer from dark to bright
13	Dimmer Fine	0-255	Dimmer fine control
14	Pan	0-255	Pan movement control (X)
15	Pan Fine	0-255	Pan fine control (X 16-bit)
16	Tilt	0-255	Tilt movement control (Y)
17	Tilt Fine	0-255	Tilt fine control (Y 16-bit)
18	No Function	0-255	No Function
19	Reset	0-239	No function
		240-255	Reset (hold 5 seconds)
20	Zoom	0-255	Zoom Control from near to far 7°-45°
21	Lens Rotation	0-127	0° to 60° Indexing
		128-189	Counterclockwise rotation from fast to slow
		190-191	Stop
		192-255	Clockwise rotation from slow to fast
22	Shape macro	0-7	No function
		8-14	Static effects
		15-87	Dynamic effects
		88-255	No function
23	Shape Speed (22nd channel must be set to dynamic effect)	0-127	Dynamic shape counterclockwise rotation from fast to slow
		128-255	Dynamic shape clockwise rotation from slow to fast
24	No Function	0-255	No Function
25	Shape R	0-255	Shape in Red color
26	Shape G	0-255	Shape in Green color
27	Shape B	0-255	Shape in Blue color
28	Shape W	0-255	Shape in White color
29	Shape Dimmer	0-255	Shape dimmer 0-100%
30	Background	0-255	Background dimmer 0-100%
31	No Function	0-255	No Function
32	Shape Transition	0-255	Shape change position
33	Shape Strobe	0-255	Foreground strobe control
34	Background	0-255	Background strobe control
35	Background Shape (controlled by channels 1-12)	0-8	No function
		9-15	Every 1 DMX value is one kind of background shape
		16-255	No function
36	No Function	0-255	No Function
37	LED Halo Dimmer	0-255	LED Halo 0-100% linear dimmer
38	LED Halo strobe	0-4	Shutter Open
		5-250	LED Halo strobe from slow to fast
		251-255	Shutter Open
39	LED Halo Red	0-255	LED Halo Red 0-100% linear dimmer
40	LED Halo Green		LED Halo Green 0-100% linear dimmer
41	LED Halo Blue		LED Halo Blue 0-100% linear dimmer
42	LED Halo macro	0-1	No function
		2-51	Every 2 DMX value is one kind of static color
		52-54	1st Dynamic effect

		55-250	Every 4 DMX value is a dynamic effect (2-50 kinds)
		251-255	Dynamic effect 51
43	LED Halo speed	0-255	LED Halo macro effect from slow to fast
44	LED 1 Red	0-255	LED 1 Red 0-100% linear dimmer
45	LED 1 Green	0-255	LED 1 Green 0-100% linear dimmer
46	LED 1 Blue	0-255	LED 1 Blue 0-100% linear dimmer
47	LED 1 White	0-255	LED 1 White 0-100% linear dimmer
48	LED 2 Red	0-255	LED 2 Red 0-100% linear dimmer
49	LED 2 Green	0-255	LED 2 Green 0-100% linear dimmer
50	LED 2 Blue	0-255	LED 2 Blue 0-100% linear dimmer
51	LED 2 White	0-255	LED 2 White 0-100% linear dimmer
...
...
...
...
112	LED 18 Red	0-255	LED 18 Red 0-100% linear dimmer
113	LED 18 Green	0-255	LED 18 Green 0-100% linear dimmer
114	LED 18 Blue	0-255	LED 18 Blue 0-100% linear dimmer
115	LED 18 White	0-255	LED 18 White 0-100% linear dimmer
116	LED 19 Red	0-255	LED 19 Red 0-100% linear dimmer
117	LED 19 Green	0-255	LED 19 Green 0-100% linear dimmer
118	LED 19 Blue	0-255	LED 19 Blue 0-100% linear dimmer
119	LED 19 White	0-255	LED 19 White 0-100% linear dimmer

6. Technical Specifications

- **Voltage:** AC100-240V 50/60Hz
- **Maximum Power Draw:** 700W
- **Light Source:** 19pcs 40W RGBW High Power 4in1 Flicker-Free Quad LEDs
- **Color Temperature Range:** 2800K-8500K Linear CTO Control
- **Zoom Angle:** 7° - 45°
- **Dimmer:** 0-100% Linear dimming control w/ 4 dimming curves
- **Shutter:** 0-25Hz
- **Pan & Tilt Range:** Pan 540° Tilt 220°
- **Lens Rotation:** 360° Indexing and bi-directional continuous rotation
- **Channel Modes:** 21Ch, 26Ch, 36CH, 43CH, 78CH & 119Ch modes
- **Display:** LCD Full color display with touch buttons.
- **Operating Modes:** DMX, Auto, Sound, Manual control from display.
- **Mounting:** Removable quick-lock omega brackets included (2)
- **IP Rating:** IP 20
- **Fixture Size:** 17"x10.25"x22.75" (
- **Net Weight:** 33.5 lb
- **Gross Weight:** 41.3 lb Carton Packaging

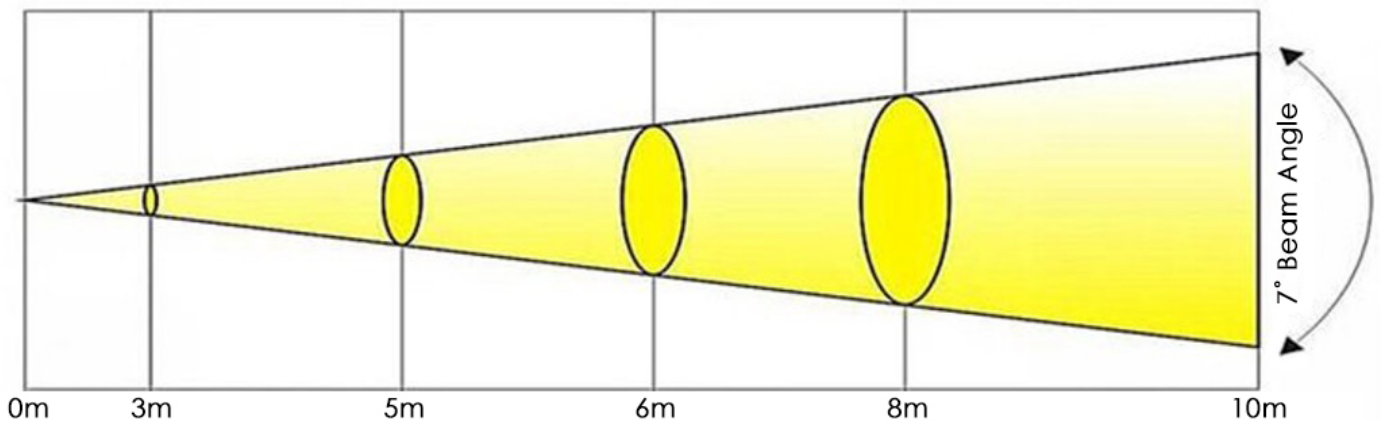
- **Carton Size:** 19" x 15" x 20"



7. Photometric Data

LUX Data of 7° beam angle:

R	21000 lux@3m	8160 lux@5m	5500 lux@6m	3060 lux@8m	1930 lux@10m
G	38000 lux@3m	14800 lux@5m	10000 lux@6m	5600 lux@8m	3600 lux@10m
B	68000 lux@3m	27400 lux@5m	18500 lux@6m	10380 lux@8m	6620 lux@10m
W	48500 lux@3m	18800 lux@5m	12700 lux@6m	7050 lux@8m	4520 lux@10m
RGBW	121300 lux@3m	64000 lux@5m	44000 lux@6m	24500 lux@8m	15700 lux@10m



8. Warranty

This product carries a 1-year manufacturer's warranty which covers factory defects or internal issues not caused by the owner/operator of the fixture. Misuse, physical damage, water damage, or any other issues caused by misuse by the customer are not covered under manufacturer's warranty. All warranty claims must be handled directly through the manufacturer and not the dealer. Original sales receipt required for all warranty claims.

Submit all claims to Info@Acuelighting.com.

For more information about this product as well as all our other products please visit:

www.AcueLighting.com

Or contact us directly

Email: Info@AcueLighting.com

Phone: (818) 646-7526/ (818) 672-6822

